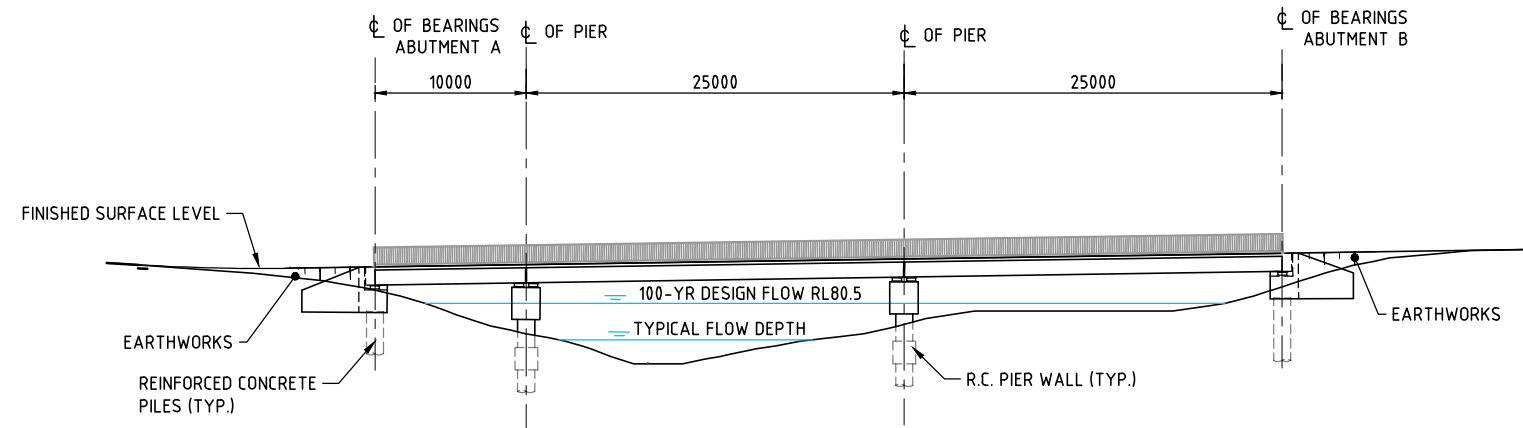
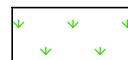


PLAN
SCALE 1:250



ELEVATION
SCALE 1:250

LEGEND



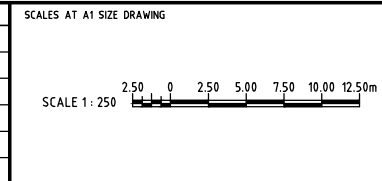
GROWLING GRASS FROG HABITAT EXTENT

K:\Projects\30041240\CAD\DWG\30041240-00-100-2021D.dwg

09 May 2016 15:03:20

ISSUE	DATE	AMENDMENT / ISSUE DESCRIPTION	APPROVAL
A	14.08.15	DRAFT ISSUE FOR COMMENT	D004
B	12.01.16	DESIGN COMMENTS ADDRESSED	D008
C	01.04.16	INTERIM DESIGN COMMENTS ADDRESSED	D010
D	09.05.16	FINAL DESIGN	D011

TITLE	NAME
DRAFTSMAN	J.P.
DRAFTING CHECK	M.S.
DESIGNER	G.C.
DESIGN CHECK	D.B.
PROJECT MANAGER	D.B.
PROJECT DIRECTOR	D.B.



DESIGNER

SMC AUSTRALIA PTY LTD
ACN 065 475 149
LEVEL 10, 71 QUEENS ROAD
MELBOURNE VIC. 3004
PH 03 9514-1500 FAX 03 9514-1502

CLIENT

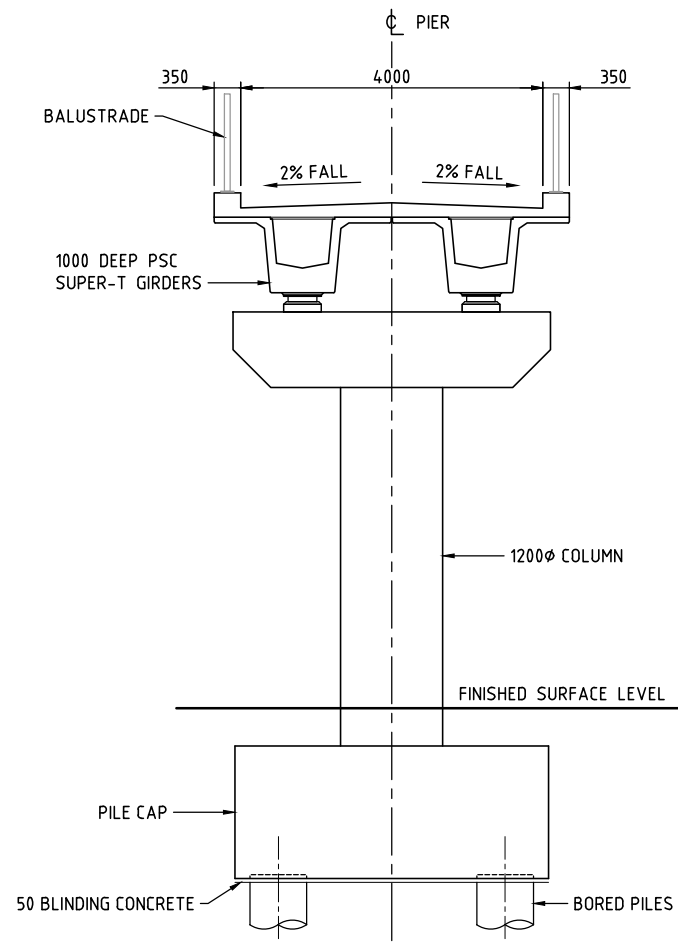
MPA METROPOLITAN PLANNING AUTHORITY

APPROVED _____ DATE _____

PROJECT TITLE		PLUMPTON AND KOROROIT PSPs CITY OF MELTON	
		PBR07 - PEDESTRIAN BRIDGE CROSSING AT KOROROIT CREEK GENERAL ARRANGEMENT - SHEET 1	
SCALE	DRAWING STATUS	PROJECT / DRAWING No.	ISSUE
AS SHOWN		30041240-00-100-2021	D

150 mm ON ORIGINAL

150
140
130
120
110
100
90
80
70
60
50
40



CROSS SECTION
SCALE 1:100

150 mm ON ORIGINAL

K:\Projects\30041240\CAD\DWG\30041240-00-100-2022[D].dwg

09 May 2016 15:03:32

ISSUE	DATE	AMENDMENT / ISSUE DESCRIPTION	APPROVAL
A	14.08.15	DRAFT ISSUE FOR COMMENT	D004
B	12.01.16	DESIGN COMMENTS ADDRESSED	D008
C	01.04.16	INTERIM DESIGN COMMENTS ADDRESSED	D010
D	09.05.16	FINAL DESIGN	D011

TITLE	NAME
DRAFTSMAN	J.P.
DRAFTING CHECK	M.S.
DESIGNER	G.C.
DESIGN CHECK	D.B.
PROJECT MANAGER	D.B.
PROJECT DIRECTOR	D.B.

SCALES AT A1 SIZE DRAWING	
SCALE 1:50	

DESIGNER

SMEC AUSTRALIA PTY LTD
ACN 065 475 149
LEVEL 10, 71 QUEENS ROAD
MELBOURNE VIC. 3004
PH 03 9514-1500 FAX 03 9514-1502

CLIENT

MPA METROPOLITAN PLANNING AUTHORITY

APPROVED	DATE

PROJECT TITLE			
PLUMPTON AND KOROROIT PSPs CITY OF MELTON			
PBR07 - PEDESTRIAN BRIDGE CROSSING AT KOROROIT CREEK GENERAL ARRANGEMENT - SHEET 2			
SCALE	DRAWING STATUS	PROJECT / DRAWING NO.	ISSUE
AS SHOWN		30041240-00-100-2022	D