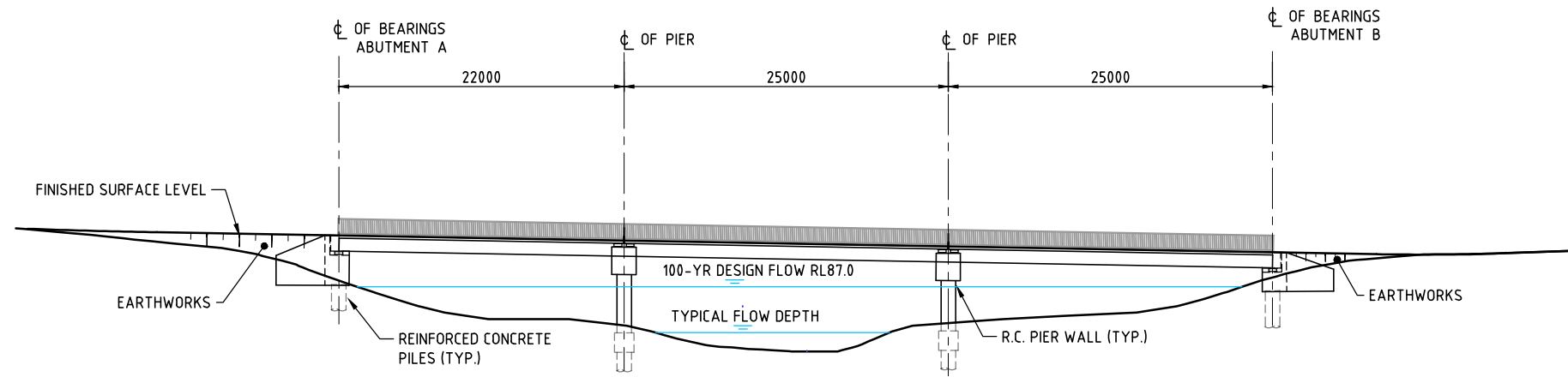


PLAN  
SCALE 1:250



LEGEND

 GROWLING GRASS FROG HABITAT EXTENT

150 mm ON ORIGINAL

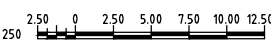
150  
140  
130  
120  
110  
100  
90  
80  
70  
60  
50  
40  
30  
20  
10  
0

K:\Projects\30041240\CAD\DWG\30041240-00-100-2017[D].dwg

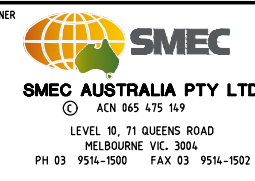
09 May 2016 14:57:47

ISSUE	DATE	AMENDMENT / ISSUE DESCRIPTION	APPROVAL
A	14.08.15	DRAFT ISSUE FOR COMMENT	D004
B	12.01.16	DESIGN COMMENTS ADDRESSED	D008
C	01.04.16	INTERIM DESIGN COMMENTS ADDRESSED	D010
D	09.05.16	FINAL DESIGN	D011

TITLE	NAME
DRAFTSMAN	J.P.
DRAFTING CHECK	M.S.
DESIGNER	G.C.
DESIGN CHECK	D.B.
PROJECT MANAGER	D.B.
PROJECT DIRECTOR	D.B.

SCALES AT A1 SIZE DRAWING	
SCALE 1:250	

DESIGNER



**SMEC AUSTRALIA PTY LTD**  
ACN 065 475 149  
LEVEL 10, 71 QUEENS ROAD  
MELBOURNE VIC. 3004  
PH 03 9514-1500 FAX 03 9514-1502

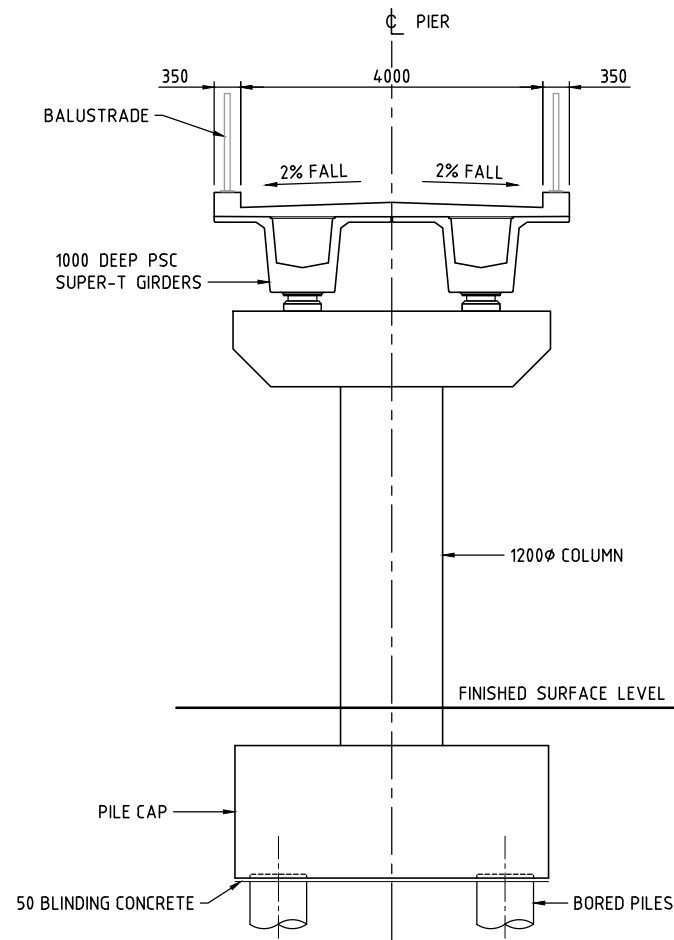
CLIENT



**MPA** METROPOLITAN PLANNING AUTHORITY

APPROVED	DATE

PROJECT TITLE			
PLUMPTON AND KOROROIT PSPs CITY OF MELTON			
PBR05 - PEDESTRIAN BRIDGE CROSSING AT KOROROIT CREEK GENERAL ARRANGEMENT - SHEET 1			
SCALE	DRAWING STATUS	PROJECT / DRAWING No.	ISSUE
AS SHOWN		30041240-00-100-2017	D



**CROSS SECTION**  
SCALE 1:100

150 mm ON ORIGINAL

150  
140  
130  
120  
110  
100  
90  
80  
70  
60  
50  
40  
30  
20  
10  
0

K:\Projects\30041240\CAD\DWG\30041240-00-100-2018[D].dwg

09 May 2016 14:58:01

ISSUE	DATE	AMENDMENT / ISSUE DESCRIPTION	APPROVAL
A	14.08.15	DRAFT ISSUE FOR COMMENT	D004
B	12.01.16	DESIGN COMMENTS ADDRESSED	D008
C	01.04.16	INTERIM DESIGN COMMENTS ADDRESSED	D010
D	09.05.16	FINAL DESIGN	D011

TITLE	NAME
DRAFTSMAN	J.P.
DRAFTING CHECK	M.S.
DESIGNER	G.C.
DESIGN CHECK	D.B.
PROJECT MANAGER	D.B.
PROJECT DIRECTOR	D.B.

SCALES AT A1 SIZE DRAWING	
SCALE 1:50	

DESIGNER

**SMEC AUSTRALIA PTY LTD**  
ACN 065 475 149  
LEVEL 10, 71 QUEENS ROAD  
MELBOURNE VIC. 3004  
PH 03 9514-1500 FAX 03 9514-1502

CLIENT

**METROPOLITAN PLANNING AUTHORITY**

APPROVED	DATE

PROJECT TITLE			
PLUMPTON AND KOROROIT PSPs CITY OF MELTON			
PBR05 - PEDESTRIAN BRIDGE CROSSING AT KOROROIT CREEK GENERAL ARRANGEMENT - SHEET 2			
SCALE	DRAWING STATUS	PROJECT / DRAWING NO.	ISSUE
AS SHOWN		30041240-00-100-2018	D